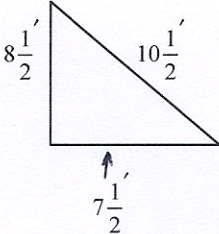
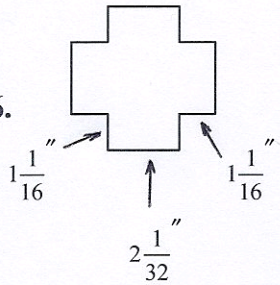
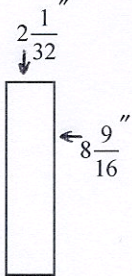
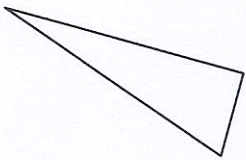
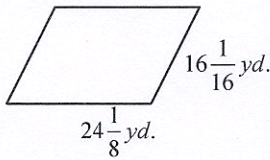

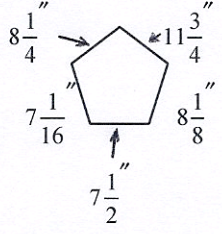
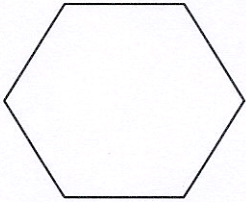
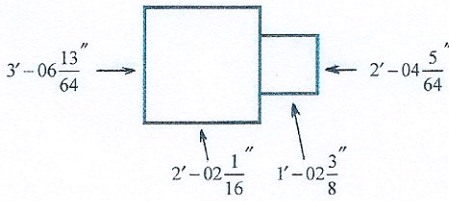
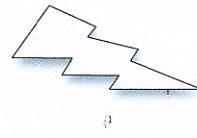


Mathematics Manual for the CAST Battery

Perimeter: The perimeter of any polygon is simply the sum of its sides.

A. Find the perimeters of the following shapes. (answers, page 286)

1.		_____	6.		_____
2.		_____	7.		_____
3.		_____	8.		_____
4.		_____	9.		_____
5.		_____	10.		_____